



## Ultraviolet Light Curing System *Spectra*

**POLY DISPENSING SYSTEMS**  
SYSTEMES DE DOSAGE INDUSTRIEL

## System Specifications

### Lamps

Fusion UV lamps by Heraeus  
300 watt/in mercury bulb  
8,000 hour bulb life guarantee

### UV Beam Widths

167.64 mm, 335.28 mm, 502.92 mm  
(6.6 in, 13.2 in, 19.8 in)

### Conveyor Speed

0.305 m/min to 5.8 m/min  
(1 ft/min to 19 ft/min)

### Working Width

50 mm to 500 mm  
(1.97 in to 19.69 in)

### Lamp Height

51 mm to 152.4 mm  
(2 in to 6 in) above conveyor

### Conveyor Height

890 mm to 965 mm from floor  
(35.04 in to 38 in) (SMEMA)

### Exhaust

Minimum 1000 CFM exhaust fan with low level flow alarm included  
(2) 1000 CFM connections if double-sided

### Power Requirements

220V, 230V, 380V, 400V – 50 Hz  
208V, 220V, 230V, 240V – 60Hz

### Certification

CE certification available

## Spectra

### Ultraviolet Light Curing System

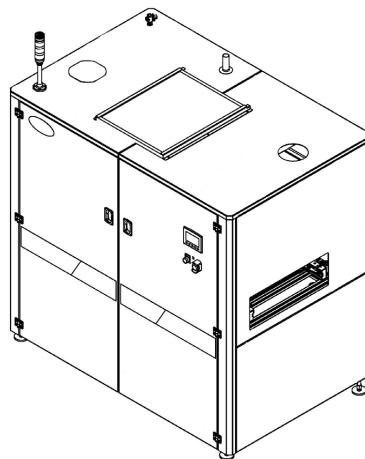
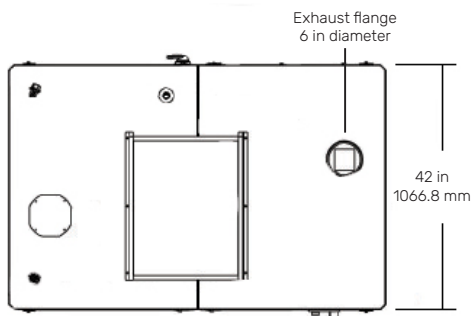
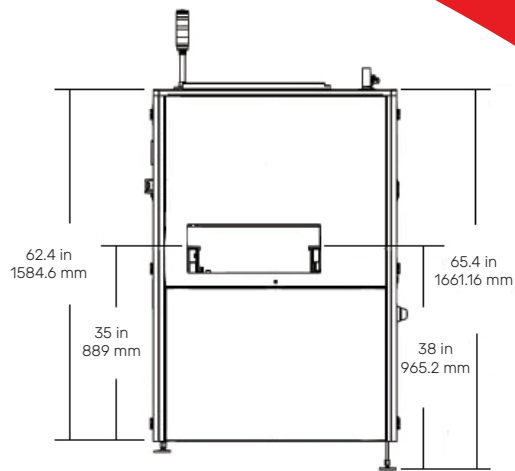
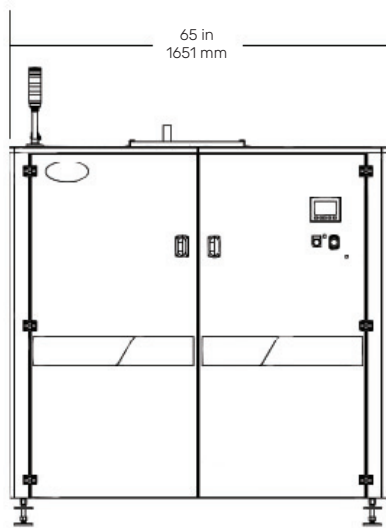
Spectra features Fusion UV lamps by Heraeus to initiate fast ultraviolet light polymerization of adhesives and coatings in an efficient inline process. Various beam widths are available to accommodate a wide range of substrate dimensions.

Spectra comes complete with:

- OIT touch screen interface
- Single or double-sided processing
- Dual zone conveyor with configurable cure and transfer speeds
- SMEMA edge carrying chain conveyor
- SMEMA communications interface
- Maximum 4 in top and bottom side component clearance
- Standard hand crank conveyor adjust and optional automatic conveyor width adjust
- Fully enclosed for clean and quiet operation
- Large access doors to all critical areas
- Inlet air filtration system
- Rail expansion compensation

For more information, please contact POLY DISPENSING SYSTEMS at [contact@polydispensing.com](mailto:contact@polydispensing.com) or contact your local representative.





# POLY DISPENSING SYSTEMS

SYSTEMES DE DOSAGE INDUSTRIEL

122 chemin de la Cavée - 78630 Orgeval • [contact@polydispensing.com](mailto:contact@polydispensing.com) • Tel : + 33 (0)1 39 62 40 92  
[www.polydispensing.com](http://www.polydispensing.com)