



Diaphragm Valves CAM200

POLY DISPENSING SYSTEMS
S Y S T E M E S D E D O S A G E I N D U S T R I E L

Hand Held Diaphragm Dispensing

Advantages

- Delrin® and Teflon® fluid chamber
- Constant product flow
- Removal of the operator
- Very low maintenance, only a moving part
- Patented Teflon® film coated silicone diaphragm
- No residual drop at the end of the cycle



The CAM200 can be utilized in applications requiring dots, beads, encapsulation, or potting.

The CAM200 is an all plastic handheld valve suitable for dispensing low to medium viscosity cyanoacrylate adhesives and anaerobic chemistries via a unique “floating diaphragm” process. Depressing the CAM200 finger switch allows a diaphragm to flex and permits material to flow through the valve. The diaphragm will terminate the dispensing process as the finger switch is released.

The valve’s ergonomic wand design makes handheld dispensing easier than ever. The CAM200 can be utilized in applications requiring dots, beads, encapsulation, or potting.

The CAM200 has many integrated features including:

- Patented silicone diaphragm disk with Teflon® film embedded on the wetted side
- Ergonomic wand construction for easy handheld dispensing
- Delrin® material body

Compatible products

Cyanoacrylate / Anaerobic
 / Adhesives / Activator
 / lubricants - oils / fluids
 Epoxies / Solvents - Alcohols
 / liquid fats / Inks - Painting /
 Electrolyte

Characteristics

Dimensions

163.83 mm x 55.88 mm

Weight

4.8 oz

Viscosity Range

1 cps – 20,000 cps

Maximum Inlet Fluid Pressure

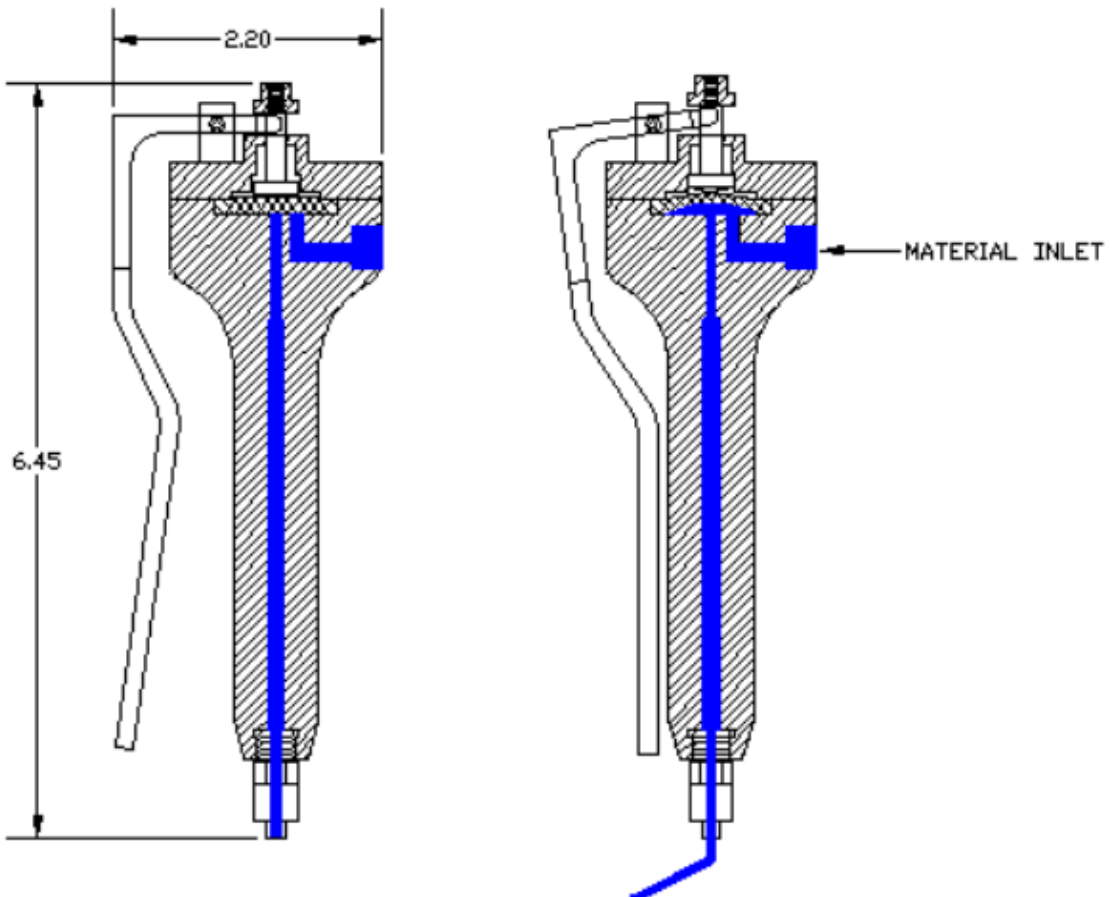
60 psi

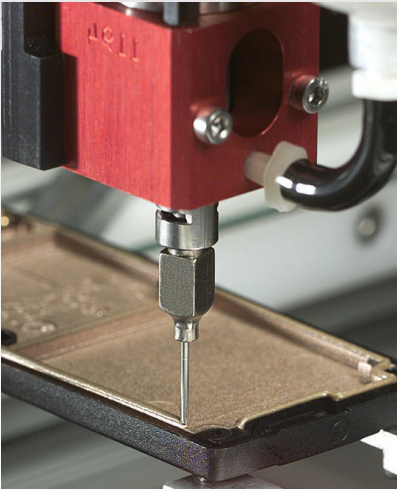
Wetted Components

Teflon®, Delrin®, Polypropylene

VALVE CLOSED

VALVE OPEN





PDS S.A.S is a french company that commercializes a wide range of dosage equipments, proven and effective.

Distributed in over 20 countries around the world, these equipments provide tailored solutions to many users in order to improve technically their manufacturing and reduce their productions costs.

Our collaborators and sales engineers all have a strong technical competences. They are able to answer your questions and offer you, after analysis, the right solution for your particular need.

FRANCE - SWITZERLAND
NORTH AFRICA

Poly Dispensing Systems
122, Chemin de la Cavée
78630 Orgeval

FRANCE

☎ + 33 (0)1 39 62 40 92

✉ + 33 (0)1 39 62 40 94

www.polydispensing.com

BELGIUM- NETHERLANDS
LUXEMBOURG

Gentec Benelux
Rue de L'Industrie, 12
B-1400 Nivelles

BELGIQUE

☎ +32 2 351 1800

✉ +32 2 351 1962

www.gentec-benelux.com

- NON CONTRACTUAL DOCUMENT -

POLY DISPENSING SYSTEMS

S Y S T E M E S D E D O S A G E I N D U S T R I E L